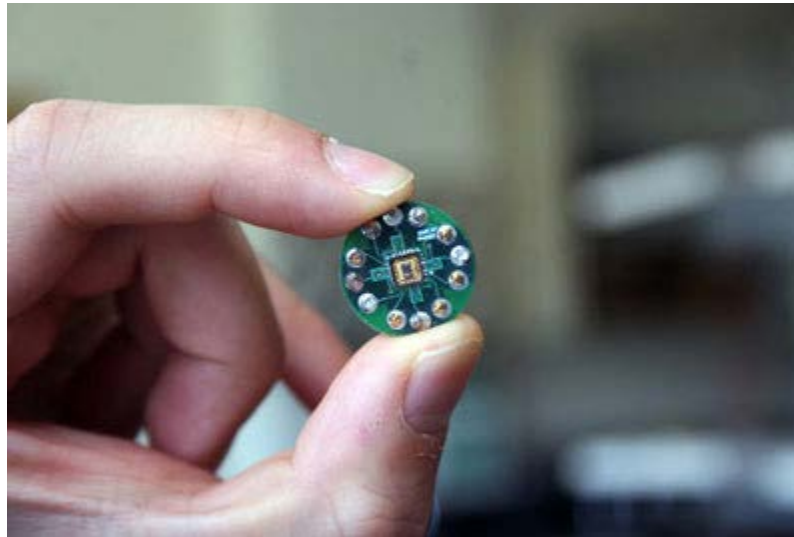


A biosensor is a device that - in some way - makes use of a biological detection system.

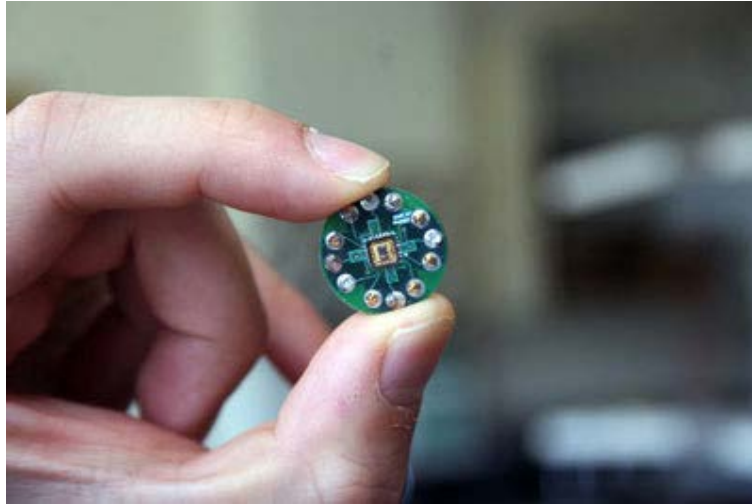
Biosensing is the process of using biosensors to gather information about living systems.



A sensor that can read ECG through clothing without skin contact.

Jacobs School of Engineering, University of California, San Diego

DAILY LIFE



DAILY LIFE

Big Data

Participatory
Systems

Environment
Monitoring

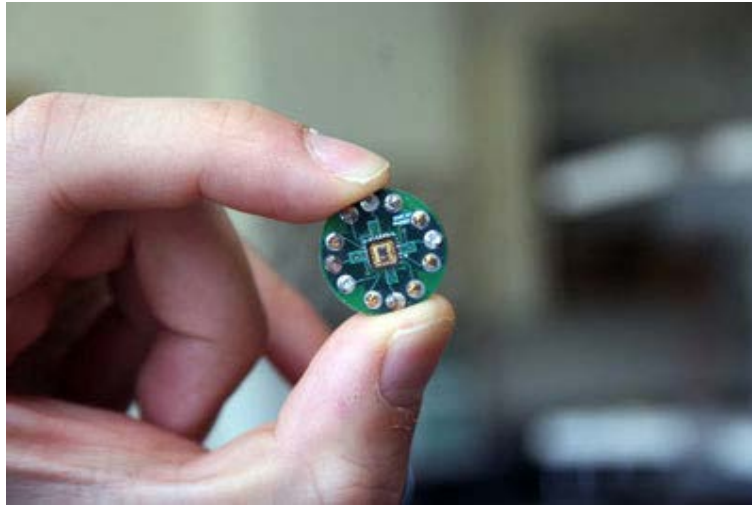
Wearable
Computers

Numeracy

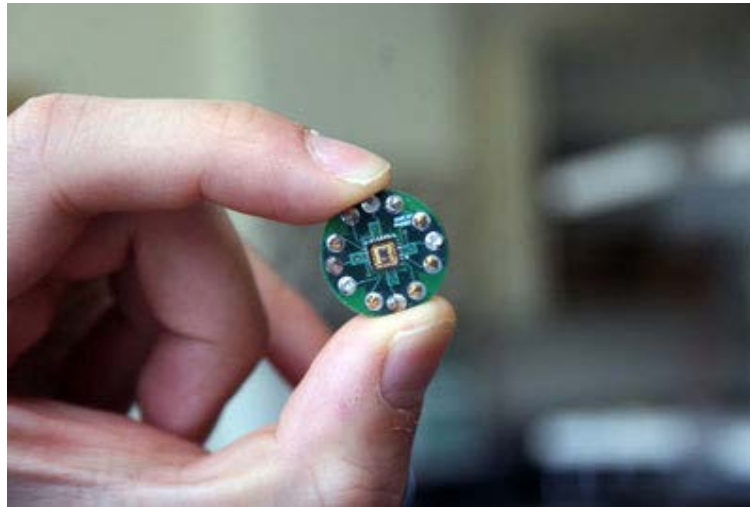
Privacy

Public Health

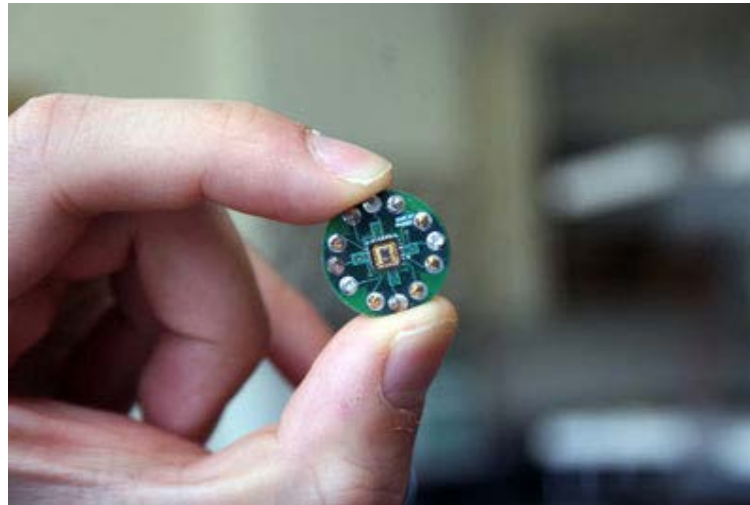
Sociology



BIOSENSING ->
URBAN LIFE ->
ARCHITECTURE ->
URBAN LIFE ->
BIOSENSING



Computer for the 21st Century ->
House for the Computer for the 21st Century
House for the Biosensors for the 21st Century



City for the Biosensors for the 21st Century

DELIVERABLES:

THREE DESIGN IDEAS

Each course participant will be asked to create, informed by the materials studied, expert advice and class discussions, three distinct design ideas for a near future biosensing situation. Each design idea must have a visual component (image) and a description (text). Collaborations are possible.

APPROACH:

LECTURES + WEBPORTAL +
DESIGN CHARETTES + EXTERNAL EXPERTS

In addition to the information pertinent to biosensing, there will be a 45 minute lecture on each of these topics:

Big Data

Environment Monitoring

Participatory Systems

Wearable Computing

Privacy

Public Health

(Numeracy)

APPROACH:

LECTURES + **WEBPORTAL** +
DESIGN CHARETTES + EXTERNAL EXPERTS

The SiReBi webportal contains introductory and advances texts on biosensing and topics related to biosensing. Use this resource to start your research.

www.sirebi.org

APPROACH:

LECTURES + WEBPORTAL +
DESIGN CHARETTES + EXTERNAL EXPERTS

We will use design charettes to imagine intelligent, informed and critical approaches to large scale sensing, including biosensing, in a variety of contexts based on the information collected in the first part of the course.

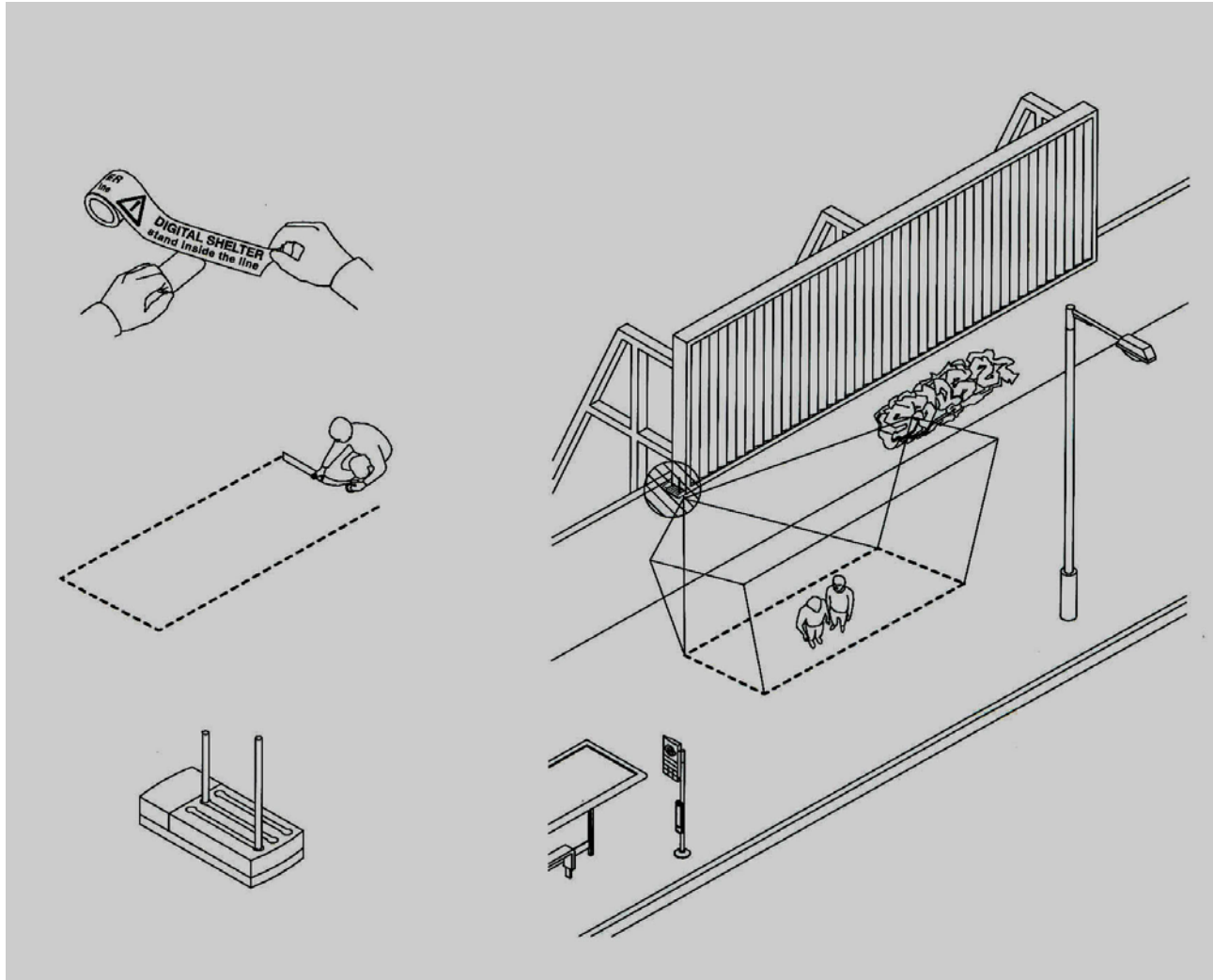
APPROACH:

LECTURES + DESIGN CHARETTES + **EXTERNAL EXPERTS**

An advisory group comprised of environmental scientists, designers, ambient intelligence experts, engineering professionals and privacy advocates will review the proposed designs.

DELIVERABLES:

INSPIRATIONS



Pedro Sepulveda- Sandoval, digital shelter
in: Fiona Raby - Design Noir

DELIVERABLES:

INSPIRATIONS

